

AQVA Table Top Water Purifier (AQ002-1)

User's Guide



1. Water outlet pipe (Rotating 360°)
2. Water outlet
3. LCD screen
4. Barrel body

Seller:

AQVA Finland Oy
Haukilahdenkatu 4
00550 Helsinki
010 321 5080

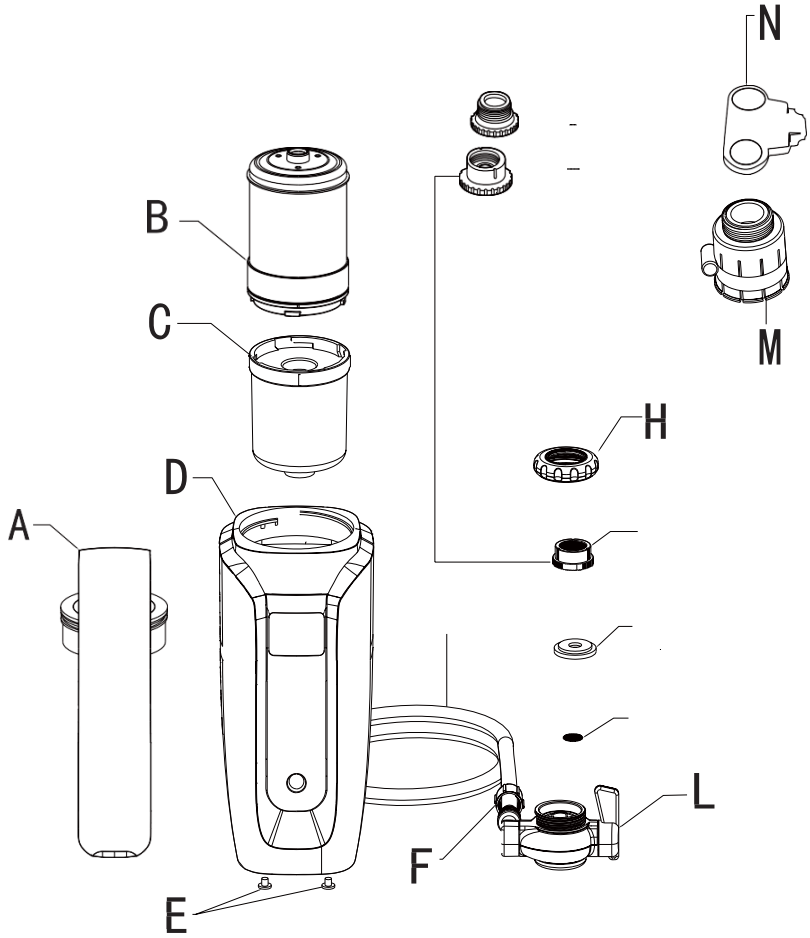
www.aqva.fi
vesi@aqva.fi

Contents

1. Purifier components.....	3
2. Confirm whether the package is complete, all parts included.....	3
3. Safety precautions.....	4
4. Precaution for using.....	4-5
5. Installation method.....	5
6. Battery replacement method and maintenance.....	5-6
7. Troubleshooting	6-7
8. Product specifications.....	7

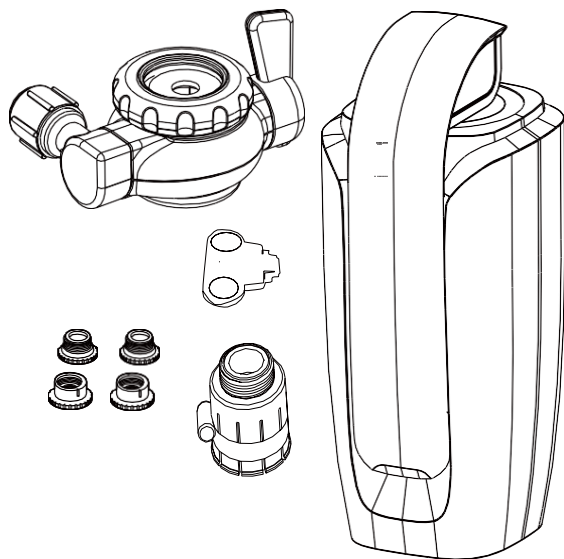
Purifier Components

- A. Purified water outlet
- B. 0,01µm UF filter
- C. Composite filter cartridge
- D. Waters purifier body
- E. Rubber pads
- F. Water tube connector
- G. Connecting water tube
- H. Attachment nut
- I. Adapter
- J. Silicone gel washer
- K. Stainless steel mesh
- L. Water flow direction lever



Please confirm whether the package is complete

1. The water purifier housing 1 pc
2. Faucet connector with lever 1pc
3. Accessories package 1 set
(adapter 4, Multi Adapter 1, the key 1)
4. User Manual 1pc



Safety Precautions

Before using the water purifier, please read this user manual carefully and keep it for future reference.

Warnings

- Please use the standard water from the local tap water.
- Avoid damage to the body.
- Let the water run thru the filter for 15 seconds before use each day.
- In order to discharge the retained water.
- Let the water run thru the filter for 60 seconds before use if you have not used the water purifier for more than two days.
- Use the " Purified water" as soon as possible.
- As there is no residual chlorine in the water, bacteria are easy to reproduce. Please put the purified water in a covered clean container and store it in a refrigerator.
- Do not touch the " purified water" outlet, in order to avoid bacterial growth.
- If there is a lot of turbidity in the tap water (such as cleaning the water tank or not using tap water for a long time, etc.) Please drain the tap water for some time before using the water purifier.
- This product is a household water purifier and should not be used for purposes other than cooking or drinking.
- Do not connect the special faucets with other machines such as gas-type water heaters, etc.
- Please do not install it near flame or high temperature place.
Replace the filter element when the water yield is reduced.
- Replace the filter element regularly.
- Please slowly adjust the knobs for the raw water and water purification, in order to avoid damage to the water purifier itself.
- When used in high water pressure areas, install pressure reducer to the feed water line.
- The water purification capacity may be affected by the large water flow rate, and the too high-water pressure can cause damage and leakage. The conventional water pressure for this product is 1 - 4bar.
- Do not freeze this product!
- When purifying the tap water, do not use hot tap water above 38 °C.
- If you accidentally let the hot water pass through the water purifier, it may cause smell or reduced purification performance. In this case let cold water flow thru the filter for 15 seconds.
- Do not block the water outlet or connect it to other equipment.
- To avoid damage to the mainframe of the water purifier.
- Never use abrasive cleaning agents or aggressive liquids such as patrol or acetone to clean the water purifier.
- These substances may cause cracking, discoloration, or distortion.
- Please do not disassemble the water purifier mainframe and filter element.

Precautions for using

For some of the faucets, product cannot be installed. The four adapters and one multifunctional adapter supplied with the water purifier can be easily mounted on most faucets. The faucets which cannot connect with the water purifier are: spray head pull-type faucet, the square or oval-shaped faucet, induction faucet, the faucet whose diameter is not within the range of 20, 22 or 24mm or the faucet whose aerators threads are too deep inside the faucet.

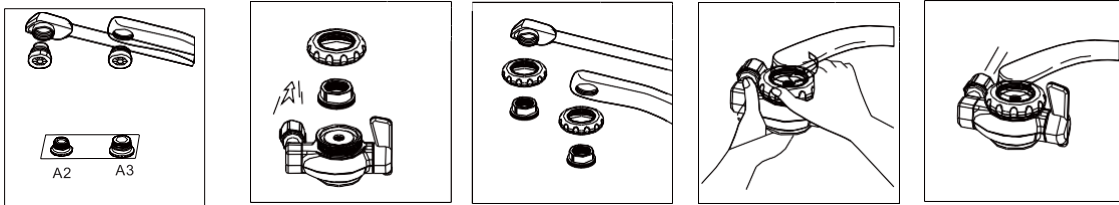
- The replacement periods of the filter, depends of the use of water, water quality, and water pressure etc.
- Filter should be replaced, latest after one year since installation, when liters counter shows zero or water flow reduces significantly.
- Do not install on hot and cold mixing water faucets.
- Do not place the water purifier in a place with direct sunlight, it may cause deformation and discoloration
- The water purifier cannot convert hard water into soft water but reduces total hardness of water a bit.
- Liters counter. You can see the total liters still available for filter, by opening the water flow thru the filter or pressing the right-side button at the bottom of the product. From same button you can “zero” the counter, by pressing the button for 5 seconds, when new filter is placed.

Installation

- Before installing the water purifier, make sure you have all the required the adapters for faucets. Determine what type of faucet you are using and select the appropriate adapter.
- The supplied adapters make the water purifier suitable for almost all kitchen faucets. However, the water purifier may not be applied to certain types of faucets that are not common in size or specifications.
- The faucet water pressure must be between 1bar and 4bar. If you use the water purifier at a water pressure outside this range, the purified water yield will be very low, or the water purifier will get damaged.

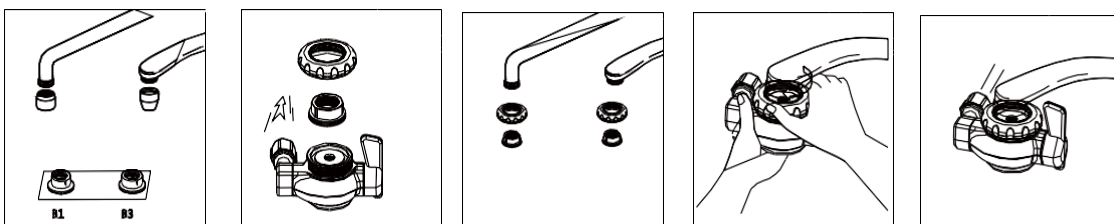
For external aerator threads

Use adaptor with a diameter of 20, 22 or 24 mm.



For internal aerator threads

Use adaptor with a diameter of 20 mm or 22 mm.



Choosing the right adapter

NOTE: adapter fittings are made of plastic, therefore excess tightening with tools may damage the fitting threads. O-ring seal is placed in between adaptor and faucet connection. If it seems that adaptor threads are not easily matching, it may be that your faucet has non-standard, threads. In this case you can find suitable extension fittings from hardware stores or HVAC companies.

Battery Replacement Method and Functions Description

1. Push the battery back cover
2. Take out the battery rear cover
3. Take out the batteries in main frame
4. Install the new batteries according to the correct cathode and anode ends 5. Place the battery compartment in the mainframe. Close the battery cover.

LCD functions

1. When the batteries are on, LCD self-tests for about 1 second (showing all LCD fields).
2. After the self-test, the LCD display shows "6000" for the life of the filter element.
3. If there is no water flow, then the LCD goes to sleep mode in about 3-5 seconds.
4. If the purified water flow is greater than 0.5L / min, the LCD is awakened and calculates the flow.
5. When the battery power is 2.5-2.7V, the screen appears low battery icon until the new batteries are replaced.

Filter replacement and maintenance

- For long-term use, be sure to replace the filter element within the replacement cycle. Due to the different local water qualities, sometimes the purified water yield is not reduced, but the activated carbon is saturated, please try to replace the filter element according to the recommended cycle.
- If you encounter the following phenomena, please replace the filter element.
- The purified water yield is significantly reduced.
- Abnormal smell or another odor have been noticed
- Liters counter shows zero- or one-year lifespan is full

Filter replacement method

1. Put the locking button into locked position
2. Turn the outlet counter clockwise
3. Pull out the filter cartridge
4. Rotate the water outlet clockwise
5. Separate the filter element from the water outlet
6. Combine the new filter element with water outlet
7. Rotate the water outlet counterclockwise
8. Install the new filter element inside the body.
9. Rotate the water outlet clockwise, until you feel it to lock
10. Push the locking button into open

Troubleshooting

Problems	Possible causes	Treatment
Main head leaks	Is it properly installed on the faucet? Is the front end of faucet aging? Is the seal aging or is it damaged?	Re-install. Repair the faucet.
Raw water yield is not uniform and small	Is there any dirt in filter mesh? Is the water outlet clean??	Clean the filter mesh and /or the raw water outlet by using hot water Sterilized and clean toothbrush or wash the product.
The purified water yield is small	It is possible that the filter cartridge is clogged, or its lifespan is full.	Replace the filter cartridge (in the case of low water pressure, the purified water also will be reduced).
There is smell	Is the filter element installed properly? Whether the filter cartridge has exceeded the filter replacement date.	Install it in the correct way. Please replace the filter cartridge.

Product specifications

Type	Directly installed filter
Main filter components	hollow fibre membrane, activated carbon, cotton sheet
Water flow rate	3 liters/min
Filter capacity	6000 liters
Replacement filter code	AQ200V.1 filter cartridge
Water pressure	1-6 bar
Water temperature	5°C-38°C
Accessories	Keys (1pcs)
Table filter size	1280mm x 125mm x 297mm
Packaging size	221mm x 154mm x 332mm
Weight	n 1350 gr